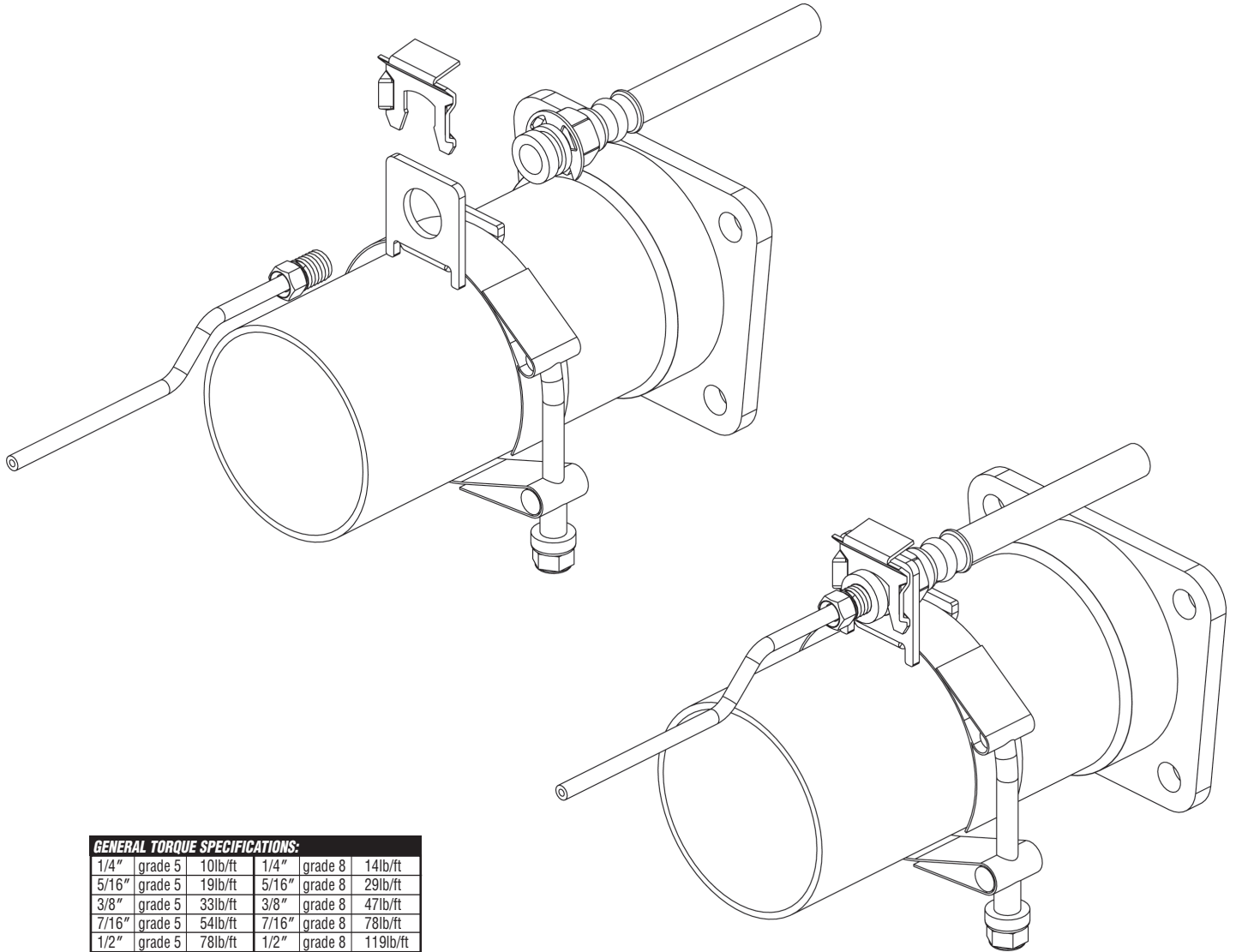




Steering, Brake & Suspension Specialists

#6772RLK-OM Installation Instructions

for 1967-72 C-10 Rear Disc Brake Conversion Line Kit



GENERAL TORQUE SPECIFICATIONS:

1/4"	grade 5	10lb/ft	1/4"	grade 8	14lb/ft
5/16"	grade 5	19lb/ft	5/16"	grade 8	29lb/ft
3/8"	grade 5	33lb/ft	3/8"	grade 8	47lb/ft
7/16"	grade 5	54lb/ft	7/16"	grade 8	78lb/ft
1/2"	grade 5	78lb/ft	1/2"	grade 8	119lb/ft
9/16"	grade 5	114lb/ft	9/16"	grade 8	169lb/ft
5/8"	grade 5	154lb/ft	5/8"	grade 8	230lb/ft

NOTE: With 18" and larger wheels we recommend 1/2" wheel studs. The larger the wheel diameter, the greater the force is on the wheel studs. Please inquire about replacement wheel stud kits available from CPP.

© Classic Performance Products, Inc. 2013
All rights reserved. This document may not be reproduced without prior written permission of CPP.

Classic Performance Products, Inc. 714.522.2000 | fax 714.522.2500
378 E. Orangethorpe Ave. | Placentia, CA 92870 | www.classicperform.com