

# ASSEMBLY INSTRUCTIONS

FOR

## 1968-1972 FORD F-100 TRUCK\*

\*For additional vehicle compatibility, visit [www.wilwood.com](http://www.wilwood.com)

### SUPERLITE 6R FRONT BRAKE KIT WITH 12.88" DIAMETER VENTED ROTOR

BASE PART NUMBER

**140-14840**

**DISC BRAKES SHOULD ONLY BE INSTALLED BY SOMEONE  
EXPERIENCED AND COMPETENT IN THE INSTALLATION AND  
MAINTENANCE OF DISC BRAKES  
READ ALL WARNINGS**

**WARNING**

IT IS THE RESPONSIBILITY OF THE PERSON INSTALLING ANY BRAKE COMPONENT OR KIT TO DETERMINE THE SUITABILITY OF THE COMPONENT OR KIT FOR THAT PARTICULAR APPLICATION. IF YOU ARE NOT SURE HOW TO SAFELY USE THIS BRAKE COMPONENT OR KIT, YOU SHOULD NOT INSTALL OR USE IT. DO NOT ASSUME ANYTHING. IMPROPERLY INSTALLED OR MAINTAINED BRAKES ARE DANGEROUS. IF YOU ARE NOT SURE, GET HELP OR RETURN THE PRODUCT. YOU MAY OBTAIN ADDITIONAL INFORMATION AND TECHNICAL SUPPORT BY CALLING WILWOOD AT (805) 388-1188, OR VISIT OUR WEB SITE AT [WWW.WILWOOD.COM](http://WWW.WILWOOD.COM). USE OF WILWOOD TECHNICAL SUPPORT DOES NOT GUARANTEE PROPER INSTALLATION. **YOU**, OR THE PERSON WHO DOES THE INSTALLATION MUST KNOW HOW TO PROPERLY USE THIS PRODUCT. IT IS NOT POSSIBLE OVER THE PHONE TO UNDERSTAND OR FORESEE ALL THE ISSUES THAT MIGHT ARISE IN YOUR INSTALLATION.

RACING EQUIPMENT AND BRAKES MUST BE MAINTAINED AND SHOULD BE CHECKED REGULARLY FOR FATIGUE, DAMAGE, AND WEAR.



Need Additional Information? Use Your  
SmartPhone and Jump to Our Technical  
Tips Section on Our Web Site.



**WARNING**

**DO NOT OPERATE ANY VEHICLE ON UNTESTED BRAKES!  
SEE MINIMUM TEST PROCEDURE WITHIN**

ALWAYS UTILIZE SAFETY RESTRAINT SYSTEMS AND ALL OTHER AVAILABLE SAFETY EQUIPMENT WHILE OPERATING THE VEHICLE

**IMPORTANT • READ THE DISCLAIMER OF WARRANTY INCLUDED IN THE KIT**

NOTE: Some cleaners may stain or remove the finish on brake system components. Test the cleaner on a hidden portion of the component before general use.

## Important Notice - Read This First

Before any tear-down or disassembly begins, review the following information:

- Review the Wheel Clearance Diagram (Figure 2, page 4) to verify that there is adequate clearance with the wheels you will be using with the installation.
- This brake kit does not include flex lines. OEM brake lines will not adapt to Wilwood calipers. Check the assembly instructions, or associated components section for brake line recommendations before assembly. In addition, Wilwood offers an extensive listing of brake lines and fittings on our web site: [www.wilwood.com](http://www.wilwood.com).
- Due to OEM production differences and other variations from vehicle to vehicle, the fastener hardware and other components in this kit may not be suitable for a specific application or vehicle.
- It is the responsibility of the purchaser and installer of this kit to verify suitability / fitment of all components and ensure all fasteners and hardware achieve complete and proper engagement. Improper or inadequate engagement can lead to component failure.

## Photographic Tip

**Important** and highly recommended: Take photos of brake system before disassembly and during the disassembly process. In the event, trouble-shooting photos can be life savers. Many vehicles have undocumented variations, photos will make it much simpler for Wilwood to assist you if you have a problem.

## Exploded Assembly Diagram

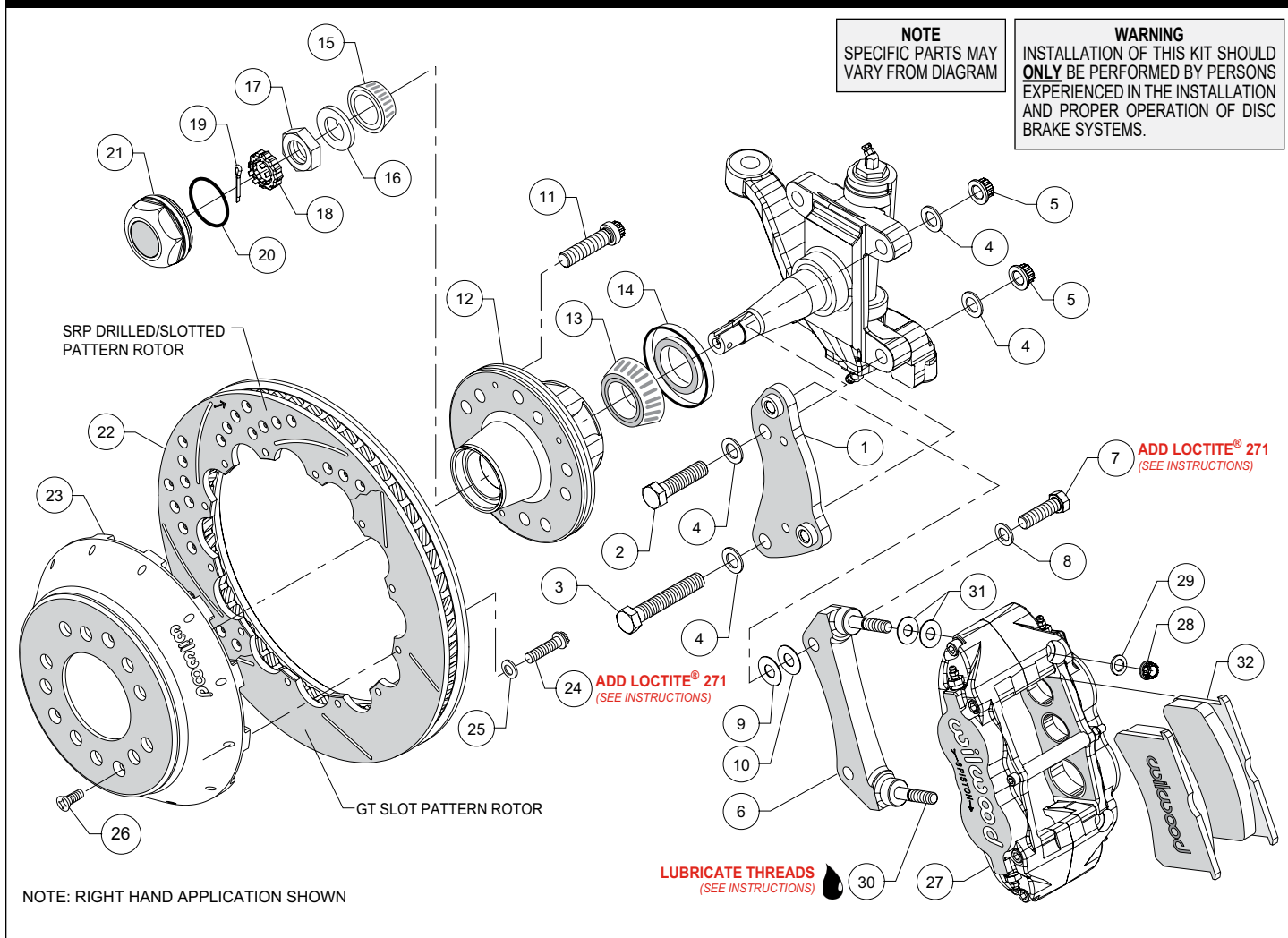


Figure 1. Typical Installation Configuration

## Parts List

| <u>ITEM NO.</u> | <u>PART NO.</u> | <u>DESCRIPTION</u>   | <u>QTY</u> |
|-----------------|-----------------|--|------------|
| 1               | 249-14828/29    | Bracket, Spindle, Flat (pair, one each, left and right)                | 1          |
| 2               | 230-14613       | Bolt, 1/2-20 x 2.00" Long, Hex Head                                    | 2          |
| 3               | 230-10418       | Bolt, 1/2-20 x 3.00" Long, Hex Head                                    | 2          |
| 4               | 240-11102       | Washer, .515" I.D. x .875" O.D. x .063" Thick                          | 8          |
| 5               | 230-13759       | Nut, 1/2-20, Self-Lock, 12 Point                                       | 4          |
| 6               | 250-14825       | Bracket, Caliper Mount   | 2          |
| 7               | 230-10425       | Bolt, 7/16-20 x 1.50" Long, Hex Head                                   | 4          |
| 8               | 240-11101       | Washer, .453" I.D. x .750" O.D. x .063" Thick                          | 4          |
| 9               | 240-1848        | Shim, .030" Thick  | 16         |
| 10              | 240-3902        | Shim, .016" Thick  | 4          |
| 11              | 230-6959        | Stud, 1/2-20 x 2.00" Long, 12 Point                                    | 10         |
| 12              | 270-14836       | Hub Assembly   | 2          |
| 13              | 370-2609        | Cone, Inner Bearing  | 2          |
| 14              | 380-12650       | Seal, Grease   | 2          |
| 15              | 370-9542        | Cone, Outer Bearing  | 2          |
| 16              | 240-2283        | Washer, Spindle, 3/4"  | 2          |
| 17              | 230-13549       | Nut, Spindle, 3/4-16   | 2          |
| 18              | 300-13550       | Nut, Spindle Retainer  | 2          |
| 19              | 180-9541        | Pin, Cotter, Spindle   | 2          |
| 20              | 211-14834       | O-ring   | 2          |
| 21              | 270-14870       | Cap, Dust  | 2          |
| 22              | 160-12961/62    | Rotor, 1.10" Thk x 12.88" Dia, 12 x 8.75" Bolt Circle (right and left) | 2          |
| 22A             | 160-13543/44-BK | Rotor, SRP, Drilled and Slotted (right and left)                       | 2          |
| 23              | 170-7467        | Hat, 5 x 4.50"/4.75", 1.75" Offset, 12 x 8.75" Bolt Circle             | 2          |
| 24              | 230-8037        | Bolt, 1/4-20 x .75" Long, 12 Point                                     | 24         |
| 25              | 240-11240       | Washer, .265" I.D. x .500" O.D. x .063" Thick                          | 24         |
| 26              | 230-10419       | Bolt, 1/4-20 x .50" Long, Flat Head, Hex Drive                         | 6          |
| 27              | 120-11780/81-BK | Caliper, Forged Superlite 6R, Black                                    | 2          |
| 27A             | 120-11780/81-RD | Caliper, Forged Superlite 6R, Red                                      | 2          |
| 28              | 230-9183        | Nut, 3/8-24 Self-Locking, 12 Point                                     | 4          |
| 29              | 240-10190       | Washer, .391" I.D. x .625" O.D. x .063" Thick                          | 4          |
| 30              | 230-9078        | Stud, 3/8-16 x 3/8-24 x 2.50" long (pre-installed in bracket)          | 4          |
| 31              | 240-1159        | Shim, 0.035" Thick   | 16         |
| 32              | 150-20-7416K    | Pad, BP-20 Compound, Axle Set  | 1          |

### NOTES:

Part Number 230-7032, Bolt Kit, hub to hat, includes part number 230-10419

Part Number 230-8008, Bolt Kit, hat to rotor, includes part numbers 230-8037 and 240-11240

Part Number 230-10630, Bolt Kit, bracket to bracket, includes part numbers 230-10425, 240-1848, 240-3902 and 240-11101

Part Number 230-14200, Bolt Kit, wheel studs, includes part number 230-6959

Part Number 230-14612, Bolt Kit, bracket to spindle, includes part numbers 230-10418, 230-13759, 230-14613 and 240-11102

Part Number 250-14826, Bracket Kit, caliper to bracket, includes part numbers 230-9078, 230-9183, 240-1159, 240-10190 and 250-14825

Part Number 370-14824 Locknut Kit, includes part numbers 180-9541, 230-13549, 240-2283, 300-13550, 370-9542, 370-2609 and 380-12650

Item 22A is an optional item and included in the (D) drilled rotor kits. Add "-D" to end of part number when ordering.

Item 27A is an optional item and included in the (R) red caliper kits. Add "-R" to end of part number when ordering.

## General Information

Installation of this kit should **ONLY** be performed by persons experienced in the installation and proper operation of disc brake systems. Before assembling the Wilwood disc brake kit, double check the following items to ensure a trouble-free installation.

- Make sure this is the correct kit to match the exact make and model year of the vehicles spindle. This kit is designed for direct bolt-on installation to 1968-1972 model year Ford F-100 Truck.
- Verify wheel clearance utilizing Figure 2.
- Inspect the package contents against the parts list to ensure that all components and hardware are included.
- Verify the new hub stud pattern in this kit matches the lug pattern of the vehicles wheels.

## Disassembly Instructions

- Disassemble the original equipment front brakes:

Raise the front wheels off the ground and support the front suspension according to vehicle manufacturer's instructions.

Remove the front wheels and completely disassemble the stock brake system down to the bare spindles.

- Remove any nicks or burrs on the spindle mount faces that may interfere with the installation of the new brake components.
- Clean and de-grease the spindles.

## Assembly Instructions

**NOTE:** Numbers in parenthesis refer to the parts list and Figure 1 on the preceding pages.

**CAUTION:** All mounting bolts must fully engage clinch nuts. Be sure to check that all bolts are either flush or protruding through flanged side of clinch nut after shimming, Figure 4.

- Orient the spindle bracket (1) as shown in Figure 1 and Photo 1, and install using bolts (2 and 3), washers (4) and nuts (5). Temporarily tighten the mounting bolts. Ensure that the flanged heads of the clinch nuts in the bracket are facing outboard, Photo 1. **NOTE:** The bracket must fit squarely against the mount bosses on the upright. Inspect for interference from casting irregularities, machining ridges, burrs, etc. Torque lock nuts (5) to 65 ft-lb.

- The caliper mount radial bracket (6) should initially be installed with clean, dry threads on the mounting bolts. Orient the bracket as shown in Figure 1, and Photo 2. Install onto the spindle bracket using bolts (7), and washers (8). Initially place one .030 thick shims (9) on each bolt between the radial and spindle brackets, Figure 1. Temporarily tighten the mounting bolts. Later, after the caliper alignment has been checked, the mount bolts will be secured using red *Loctite*® 271.

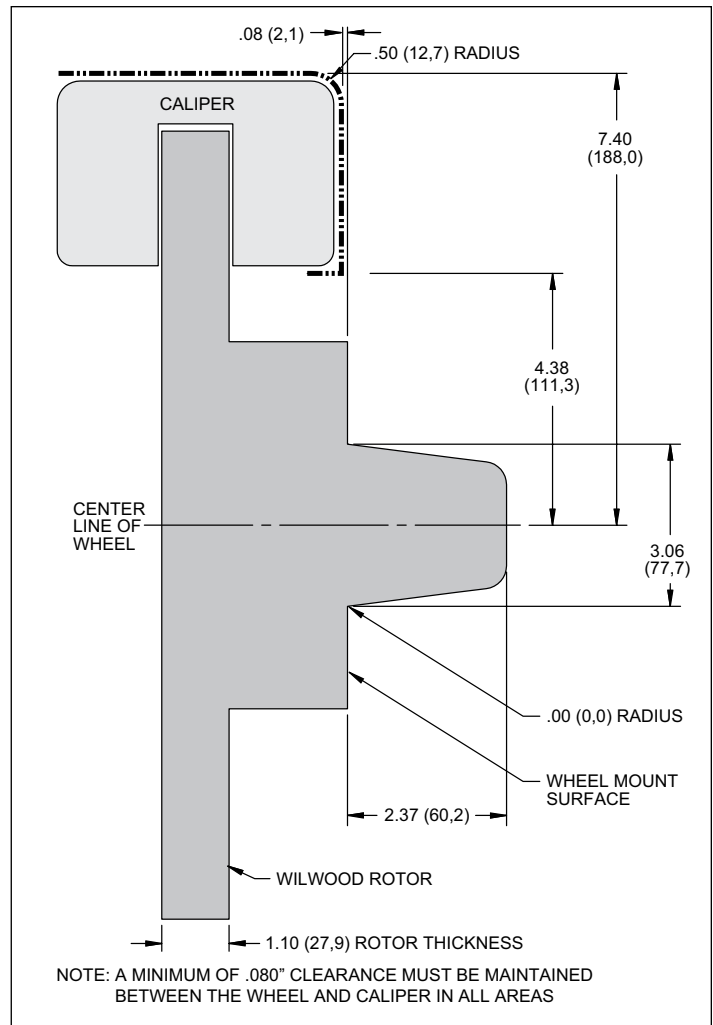


Figure 2. Wheel Clearance Diagram



Photo 1  
(1965-67 Spindle Shown)



Photo 2



Photo 3



Photo 4

## Assembly Instructions (Continued)

- Install wheel studs (11) into the hub (12), Photo 3. Torque to 77 ft-lb. **NOTE:** There are two five lug patterns in the hub (5 x 4.50 and 5 x 4.75). Ensure the correct hub stud pattern is being used to fit the wheel application.

- Pack the large inner bearing cone (13) with high temperature disc brake bearing grease (available from your local auto parts store) and install into the backside of the hub (12), Photo 4.

- Install the grease seal (14) by pressing into the backside of the hub (12), flush with the end of the hub, Photo 5.

- Pack the small outer bearing cone (15) with high temperature disc brake bearing grease and install into the front side of the hub (12), Photo 6. Slide the hub assembly onto the spindle. Secure using spindle washer (16) and spindle nut (17). Adjust bearings per OEM specifications. Install spindle nut retainer (18) and cotter pin (19), Photo 7.

- Screw dust cap (21) into hub (12), Photo 8. Friction created by the o-ring (20) on the dust cap keeps it from unscrewing. **NOTE:** The O.D. of the existing OEM spindle washer may be larger than the I.D. of the dust cap not allowing it to seat against the hub face. Therefore, use the spindle washer (16) supplied with the kit instead of the OEM washer.

- Orient the rotor (22) and the hat (23) as shown in Figure 1 and Photo 9. Attach rotor to hat using bolts (24) and washers (25). Apply red *Loctite*® 271 to the bolt threads and torque to 155 **in-lb** using a criss-cross pattern. For an added measure of security, the bolts may be safety wired using standard 0.032 inch diameter stainless steel safety wire as shown in Figure 3. Refer to Wilwood's data sheet DS-386 (available at [www.wilwood.com/Pdf/DataSheets/ds386.pdf](http://www.wilwood.com/Pdf/DataSheets/ds386.pdf)) for complete safety wire installation instructions.

- Slide the hat/rotor assembly (23/22) onto the hub (12) taking care to align the small countersunk holes in the hat with the small threaded holes in the hub, Photo 10. **NOTE:** The hat must fit flush against the hub face or excessive rotor run out may result. Install three flat head screws (26) through the small holes in the hat, and torque to 85 **in-lb**.

- NOTE:** This kit contains distinct right and left hand calipers that must be mounted in a specific direction, as described below. Lubricate the caliper mounting studs (30) with lightweight oil. Initially place two .035" thick shims (31) on each stud between the caliper and the bracket, as shown in Figure 1 and Photo 11. Mount the caliper (27) onto the bracket (6) using lock nuts (28) and washers (29), Figure 1. Ensure that the caliper is mounted so the largest pistons are at the rotor exit end of the caliper, in relation to the direction of rotor rotation. Temporarily tighten the lock nuts and view the rotor through the top opening of the caliper. The rotor should be centered in the caliper, Photo 12. If not, adjust by adding or subtracting shims (9 and/or 10) between the spindle bracket (1) and the caliper mount bracket (6). Always use the same amount of shims on each of the two mounting bolts (7).



Photo 5



Photo 6



Photo 7



Photo 8



Photo 9

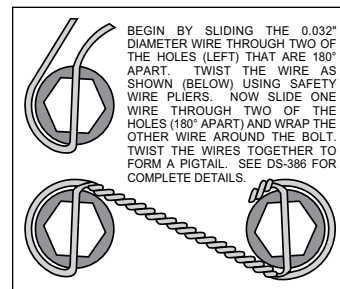


Figure 3. Safety Wire Diagram



Photo 10



Photo 11

## Assembly Instructions (Continued)

Once the caliper alignment is correct, remove the radial bracket mounting bolts (7) one at a time, apply red *Loctite*® 271 to the threads, and torque to 60 ft-lb.

- Remove the caliper center bridge pad retainer bolt, nut, and tube from the caliper. Insert the brake pads (32) into the caliper, with the friction material facing the rotor, as shown in Photo 13. Check that the top of the brake pad is flush with the outside diameter of the rotor, Photo 14. If not, adjust by adding or subtracting shims (31) between the caliper and the radial bracket (6). After the caliper pad height is set, torque the caliper lock nuts (28) to 30 ft-lb. Secure the brake pads in place with the center bridge pad retainer tube, bolt, and locknut, Photo 15. The locknut should be snug without play in the bolt or tube. Be cautious not to over tighten.

- Temporarily install the wheel and torque lug nuts to manufacturer's specification. Ensure that the wheel rotates freely without any interference.

- NOTE:** OEM rubber brake hoses generally cannot be adapted to Wilwood calipers. The caliper inlet fitting is a 1/8-27 NPT. The preferred method is to use steel adapter fittings at the caliper, either straight, 45 or 90 degree (use PTFE tape on pipe threads of adapter fitting for proper sealing to caliper) and enough steel braided line to allow for full suspension travel and turning radius, lock to lock. **Carefully route hoses to prevent contact with moving suspension, brake or wheel components.** **NOTE:** Wilwood hose kits are designed for use in many different vehicle applications and it is the installer's responsibility to properly route and ensure adequate clearance and retention for brake hose components. Wilwood offers universal brake flex line hose kits, both domestic (3/8-24 IF) and metric (10mm x 1.0), order:

P/N 220-7056 for the 14 inch length domestic, 3/8-24 IF

P/N 220-7699 for the 16 inch length domestic, 3/8-24 IF

P/N 220-8307 for the 18 inch length domestic, 3/8-24 IF

P/N 220-11238 for the 20 inch length domestic, 3/8-24 IF

P/N 220-11237 for the 22 inch length domestic, 3/8-24 IF

Hose kits include hoses, fitting, etc., all in one package for this application.

- NOTE:** Specified brake hose kits may not work with all Years, Makes and Models of vehicle that this brake kit is applicable to, due to possible OEM manufacturing changes during a production vehicle's life. It is the installer's responsibility to ensure that all fittings and hoses are the correct size and length, to ensure proper sealing and that they will not be subject to crimping, strain and abrasion from vibration or interference with suspension components, brake rotor or wheel.

- In absence of specific instructions for brake line routing, the installer must use his best professional judgment on correct routing and retention of lines to ensure safe operation. Test vehicle brake system per the 'minimum test' procedure stated within this document before driving. After road testing, inspect for leaks and interference. Initially after install and testing, perform

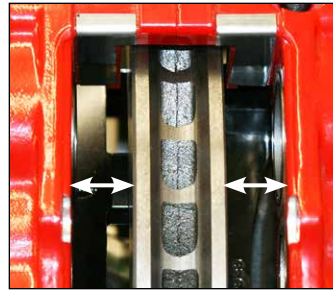


Photo 12



Photo 13



Photo 14

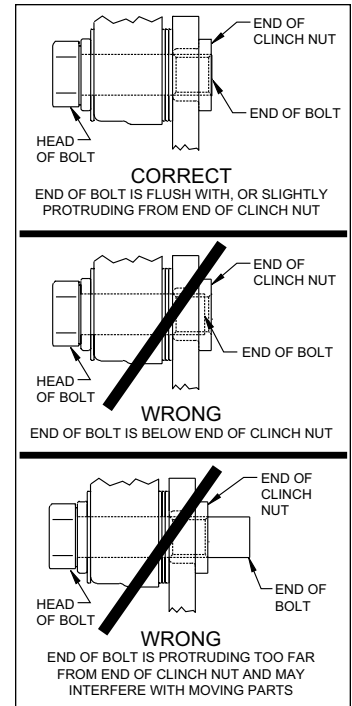


Figure 4. Clinch Nut Engagement Diagram



Photo 15

frequent checks of the vehicle brake system and lines before driving, to confirm that there is no undue wear or interference not apparent from the initial test. Afterwards, perform periodic inspections for function, leaks and wear in a interval relative to the usage of vehicle.

- Bleed the brake system, referring to the additional information and recommendations on page 7 for proper bleeding instructions. Check system for leaks after bleeding.
- Install the wheel and torque to manufacturer's specifications.
- Bed-in the brake pads per the procedure on page 8.

## Additional Information and Recommendations

- Fill and bleed the new system with Wilwood Hi-Temp° 570 grade fluid or higher. For severe braking or sustained high heat operation, use Wilwood EXP 600 Plus Racing Brake Fluid. Used fluid must be completely flushed from the system to prevent contamination. **NOTE:** *Silicone DOT 5 brake fluid is **NOT** recommended for racing or performance driving.*
- To properly bleed the brake system, begin with the caliper farthest from the master cylinder. Bleed the outboard bleed screw first, then the inboard. Repeat the procedure until all calipers in the system are bled, ending with the caliper closest to the master cylinder. **NOTE:** *When using a new master cylinder, it is important to bench bleed the master cylinder first.*
- If the master cylinder is mounted lower than the disc brake calipers, some fluid flowback to the master cylinder reservoir may occur, creating a vacuum effect that retracts the caliper pistons into the housing. This will cause the pedal to go to the floor on the first stroke until it has “pumped up” and moved all the pistons out against the pad again. A Wilwood in-line two pound residual pressure valve, installed near the master cylinder will stop the fluid flowback and keep the pedal firm and responsive.
- Test the brake pedal. It should be firm, not spongy and stop at least 1 inch from the floor under heavy load.
  - If the brake pedal is spongy, bleed the system again.
  - If the brake pedal is initially firm, but then sinks to the floor, check the system for fluid leaks. Correct the leaks (if applicable) and then bleed the system again.
  - If the brake pedal goes to the floor and continued bleeding of the system does not correct the problem, a master cylinder with increased capacity (larger bore diameter) will be required. Wilwood offers various lightweight master cylinders with large fluid displacement capacities (custom fabricated mounting may be required).
- **NOTE:** *With the installation of after market disc brakes, the wheel track may change depending on the application. Check your wheel offset before final assembly.*
- On some models of disc brake spindles there are “ears” where the OEM calipers were mounted and these “ears” interfere with the assembly of the Wilwood disc brake kit. If it becomes necessary to remove these “ears”, remove as little as possible being careful not to cut away any of the mounting holes that may be required to bolt on the caliper mounting bracket.
- If after following the instructions, you still have difficulty in assembling or bleeding your Wilwood disc brakes, consult your local chassis builder, or retailer where the kit was purchased for further assistance.

## Brake Testing

### **WARNING • DO NOT DRIVE ON UNTESTED BRAKES BRAKES MUST BE TESTED AFTER INSTALLATION OR MAINTENANCE MINIMUM TEST PROCEDURE**

- Make sure pedal is firm: Hold firm pressure on pedal for several minutes, it should remain in position without sinking. If pedal sinks toward floor, check system for fluid leaks. **DO NOT** drive vehicle if pedal does not stay firm or can be pushed to the floor with normal pressure.
- At very low speed (2-5 mph) apply brakes hard several times while turning steering from full left to full right, repeat several times. Remove the wheels and check that components are not touching, rubbing, or leaking.
- Carefully examine all brake components, brake lines, and fittings for leaks and interference.
- Make sure there is no interference with wheels or suspension components.
- Drive vehicle at low speed (15-20 mph) making moderate and hard stops. Brakes should feel normal and positive. Again check for leaks and interference.
- Always test vehicle in a safe place where there is no danger to (or from) other people or vehicles.
- Always wear seat belts and make use of all safety equipment.

## Pad and Rotor Bedding

### BEDDING STEPS FOR NEW PADS AND ROTORS – ALL COMPOUNDS

Once the brake system has been tested and determined safe to operate the vehicle, follow these steps for the bedding of all new pad materials and rotors. These procedures should only be performed on a race track, or other safe location where you can safely and legally obtain speeds up to 65 MPH, while also being able to rapidly decelerate.

- Begin with a series of light decelerations to gradually build some heat in the brakes. Use an on-and-off the pedal technique by applying the brakes for 3-5 seconds, and then allow them to fully release for a period roughly twice as long as the deceleration cycle. If you use a 5 count during the deceleration interval, use a 10 count during the release to allow the heat to sink into the pads and rotors.
- After several cycles of light stops to begin warming the brakes, proceed with a series of medium to firm deceleration stops to continue raising the temperature level in the brakes.
- Finish the bedding cycle with a series of 8-10 hard decelerations from 55-65 MPH down to 25 MPH while allowing a proportionate release and heat-sinking interval between each stop. The pads should now be providing positive and consistent response.
- If any amount of brake fade is observed during the bed-in cycle, immediately begin the cool down cycle.
- Drive at a moderate cruising speed, with the least amount of brake contact possible, until most of the heat has dissipated from the brakes. Avoid sitting stopped with the brake pedal depressed to hold the car in place during this time. Park the vehicle and allow the brakes to cool to ambient air temperature.

### COMPETITION VEHICLES

- If your race car is equipped with brake cooling ducts, blocking them will allow the pads and rotors to warm up quicker and speed up the bedding process.
- Temperature indicating paint on the rotor and pad edges can provide valuable data regarding observed temperatures during the bedding process and subsequent on-track sessions. This information can be highly beneficial when evaluating pad compounds and cooling efficiencies.

### POST-BEDDING INSPECTION – ALL VEHICLES

- After the bedding cycle, the rotors should exhibit a uniformly burnished finish across the entire contact face. Any surface irregularities that appear as smearing or splotching on the rotor faces can be an indication that the brakes were brought up to temperature too quickly during the bedding cycle. If the smear doesn't blend away after the next run-in cycle, or if chatter under braking results, sanding or resurfacing the rotors will be required to restore a uniform surface for pad contact.

### PRE-RACE WARM UP

- Always make every effort to get heat into the brakes prior to each event. Use an on-and-off the pedal practice to warm the brakes during the trip to the staging zone, during parade laps before the flag drops, and every other opportunity in an effort to build heat in the pads and rotors. This will help to ensure best consistency, performance, and durability from your brakes.

### DYNO BEDDED COMPETITION PADS AND ROTORS

- Getting track time for a proper pad and rotor bedding session can be difficult. Wilwood offers factory dyno-bedded pads and rotors on many of our popular competition pads and **Spec 37** GT series rotors. Dyno-bedded parts are ready to race on their first warm up cycle. This can save valuable time and effort when on-track time is either too valuable or not available at all, Dyno-bedding assures that your pads and rotors have been properly run-in and are ready to go. Contact your dealer or the factory for more information on Wilwood Dyno-Bedding services.

**NOTE:** NEVER allow the contact surfaces of the pads or rotors to be contaminated with brake fluid. Always use a catch bottle with a hose to prevent fluid spill during all brake bleeding procedures.




## Connect with Wilwood

Wilwood Facebook 

Wilwood Instagram 

Wilwood Twitter 

Wilwood YouTube 

## Associated Components

| <u>PART NO.</u>           | <u>DESCRIPTION</u>  |
|---------------------------|---|
| <a href="#">260-13706</a> | Wilwood Residual Pressure Valve (2 lb for disc brakes)                        |
| <a href="#">260-13707</a> | Wilwood Residual Pressure Valve (10 lb for drum brakes)                       |
| <a href="#">260-8419</a>  | Wilwood Proportioning Valve, Knob Style                                       |
| <a href="#">260-8420</a>  | Wilwood Proportioning Valve, Lever Style                                      |
| <a href="#">260-11179</a> | Wilwood Combination Proportioning Valve with Brake Light Switch               |
| <a href="#">290-0632</a>  | Wilwood Racing Brake Fluid (Hi-Temp <sup>o</sup> 570) (12 oz)                 |
| <a href="#">290-6209</a>  | Wilwood Racing Brake Fluid (EXP 600 Plus) (16.9 oz)                           |
| <a href="#">340-13831</a> | Wilwood Floor Mount Brake Pedal (with balance bar)                            |
| <a href="#">340-13832</a> | Wilwood Swing Mount Brake Pedal (with balance bar)                            |
| <a href="#">260-6764</a>  | Wilwood 3/4 inch High Volume Aluminum Master Cylinder                         |
| <a href="#">260-6765</a>  | Wilwood 7/8 inch High Volume Aluminum Master Cylinder                         |
| <a href="#">260-6766</a>  | Wilwood 1 inch High Volume Aluminum Master Cylinder                           |
| <a href="#">260-4893</a>  | 1-1/16 inch Tandem Master Cylinder (aluminum housing)                         |
| <a href="#">260-8555</a>  | Wilwood 1 inch Aluminum Tandem Chamber Master Cylinder                        |
| <a href="#">260-8556</a>  | Wilwood 1-1/8 inch Aluminum Tandem Chamber Master Cylinder                    |
| <a href="#">220-7056</a>  | Stainless Steel Braided Flexline Kit, Universal, 14 Inch, Domestic, 3/8-24 IF |
| <a href="#">220-7699</a>  | Stainless Steel Braided Flexline Kit, Universal, 16 Inch, Domestic, 3/8-24 IF |
| <a href="#">220-8307</a>  | Stainless Steel Braided Flexline Kit, Universal, 18 Inch, Domestic, 3/8-24 IF |
| <a href="#">330-9371</a>  | Cable Kit, Parking Brake, Universal   |